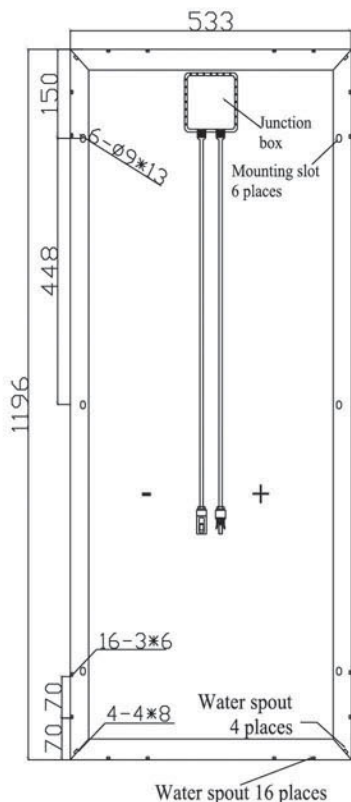


100 W Maximum Power

High Efficiency Mono-crystalline
Solar Module



BENEFITS

- High and stable conversion efficiency based on over 8 years professional experience
- High reliability with guaranteed 0 - + 3 % output power tolerance
- Proven materials, tempered front glass and a sturdy anodized aluminum frame allow modules to operate reliably in multiple mounting configuration
- Combination of high efficiency and attractive appearance

QUALITY AND SAFETY

- 25-year output power warranty
- ISO9001: 2008 (Quality Management System) certified factory
- IEC 61215, Safety tested IEC 61730, CE
- Product Liability Insurance guarantee end users' benefit
- Hail impact: 277 g steel ball falling from 1 m height, 60 m/s wind speed increased snow load according to IEC 61215: up to 5400 N/m² wind load and suction according to IEC 61215: up to 2400 N/m²

TEMPERATURE COEFFICIENTS

Temperature coefficients		at 1000 W/m ² , 25 °C, air mass: 1.5
Voltage coefficient (V_{oc})	β	- 0.35 %/K
Current coefficient (I_{sc})	α	+ 0.055 %/K
Power coefficient (P_{mpp})	γ	- 0.45 %/K
Minimum power tolerance		0 - + 3 %

SunLink PV Technology Co., Ltd.
Nanyuan Road, Zhangjiagang Economic Development Zone,
Jiangsu Province, 215600, China.
Tel: +86-512-58166568 58166566
Fax: +86-512-58166560
www.sunlink-pv.com



100 W Maximum Power



TECHNICAL DATA

Solar cell	36 mono-crystalline 125 × 125 mm
Front glass	3.2 mm tempered glass
Junction box	IP65 rated
Bypass-diodes	1 pieces
Output cables	900 mm length cable, compatible with MC IV connectors
Frame	anodized aluminium
Weight	8 kg
Dimensions	1196 × 533 × 35 mm

ELECTRICAL DATA

Module Type	SL080-12M100	SL080-12M95	SL080-12M90	SL080-12M85	SL080-12M80
Nominal peak power (P_{max})	100W	95W	90W	85W	80W
Nominal voltage (V_{mpp})	17.2V	17.2V	17.2V	17.2V	17.2V
Nominal current (I_{mpp})	5.81A	5.52A	5.23A	4.94A	4.65A
Open circuit voltage (V_{oc})	21.6V	21.6V	21.6V	21.6V	21.6V
Short circuit current (I_{sc})	6.43A	6.11A	5.79A	5.47A	5.14A
Module efficiency	15.6%	14.9%	14.1%	13.3%	12.5%
Operating Temperature	-40~+85°C	-40~+85°C	-40~+85°C	-40~+85°C	-40~+85°C
Maximum System Voltage	1000 V DC	1000 V DC	1000 V DC	1000 V DC	1000 V DC

STC: Irradiation: 1000 W/m², module temperature: 25 °C, air mass: 1.5 (EN 60904-3)

Maximum power (P_{max})	72W	68W	65W	61W	58W
Nominal voltage (V_{mpp})	16.5V	16.5V	16.5V	16.5V	16.5V
Nominal current (I_{mpp})	4.37A	4.15A	3.94A	3.72A	3.50A
Open circuit voltage (V_{oc})	19.9V	19.9V	19.9V	19.9V	19.9V
Short circuit current (I_{sc})	4.79A	4.55A	4.31A	4.07A	3.83A

NOCT: Irradiation: 800 W/m², module temperature: 45 °C, air mass: 1.5

Performance under weak light conditions (200 W/m²) EN60904-1. 95.3 % or higher of the STC efficiency (1000 W/m²) is achieved

PACKING CONFIGURATION

Container	20' GP	40' GP
Pieces per pallet	40	40
Pallets per container	16	36
Pieces per container	640	1440

WARRANTY AND CERTIFICATIONS

Warranty 10 years workmanship
 12 years 90 % of the nominal power warranty
 25 years 80 % of the nominal power warranty

Certifications IEC 61215, Safety tested IEC 61730 part 2, CE

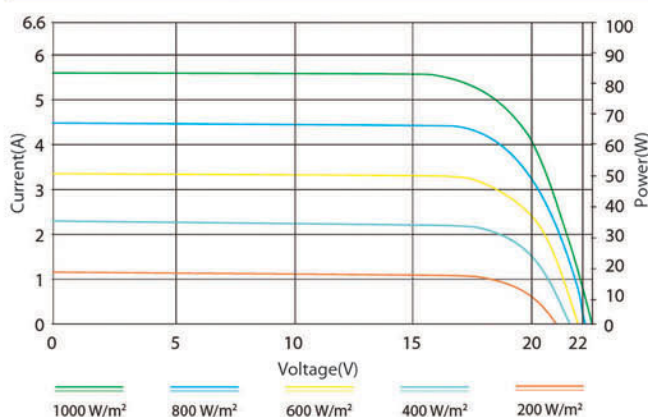
CAUTION: Read Safety And Installation Instructions Before Using The Product.

© April 2012 SunLink PV Technology Co., Ltd. All rights reserved.

Specifications included in this datasheet are subject to change without notice.

Printed on recycled paper.

Current-Voltage & Power-Voltage Curve (SL080-12M95)



SunLink PV APPOINTED DEALER